

Features

- 2-way normally closed operation
- Zero minimum
- For control of commercial and industrial oil burners
- Ideal for high pressure applications
- Brass body construction
- Mountable with solenoid upright and vertical

Fluid

- No. 2 Fuel Oil at 60 SSU
- No. 4 Fuel Oil at 300 SSU
- No. 5 Fuel Oil at 5000 SSU
- No. 6 Fuel Oil at 5000 SSU (Heated)

Construction

Valve Parts in Contact with Fluids	
Body	Brass
Seals and Disc	FKM
Core Tube	305 Stainless Steel
Core and Plugnut	430F Stainless Steel
Springs	302 Stainless Steel
Shading Coil	Copper
Piston	Brass

Electrical

Standard Coil and Class of Insulation	Watt Rating and Power Consumption			Ambient Temp. °F	Spare Coil Family
	AC				General Purpose
	Watts	VA Holding	VA Inrush		AC
H	17.1	40	93	32 to 150	238810
Standard Voltages: 120 volts AC, 60 Hz (or 110 volts AC, 50 Hz). Optional Voltages: 24, 240 volts AC, 60 Hz (or 220 volts AC, 50 Hz).					

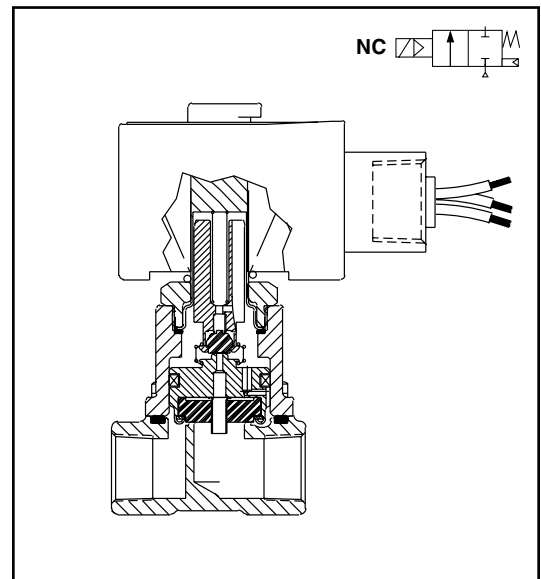
Solenoid Enclosures

Standard: Watertight, Types 1, 2, 3, 3S, 4, and 4X with 1/2" conduit hub.

Valve Response Time

Opening Time: Less than 1 second

Closing Time: Less than 1 second



Approvals

UL listed File MO-932 Safety Valves.

FM Approved "Oil Safety Shutoff Valves."
File JIOD9A5.AF

CSA Certified to:

- 1) Standard C22.2 No. 139 "Electrically Operated Valves," File 010381.
- 2) Safety Valves File LR702258.

Specifications (English units)

Pipe Size (ins.)	Orifice Size (ins.)	Cv Flow	Operating Pressure Differential (psi)		Nominal Fluid Temp. °F	Catalog Number			Const. Ref.	Agency			Wattage	Approx. Shipping Weight (lbs)
			Min.	Max.		24V 60Hz	110-120V 50-60Hz	220-240V 50-60Hz		UL	FM	CSA		
COMBUSTION (Fuel Oil) - NORMALLY CLOSED														
1/4	1/2	1.1	0	300	250	SV401A01V9BF7	SV401A02V9BF7	SV401A04V9BF7	1	○	○	○	17.1	3.2
3/8	1/2	1.5	0	300	250	SV401A01V9CF7	SV401A02V9CF7	SV401A04V9CF7	1	○	○	○	17.1	3.2

○ = Safety Shutoff Valve.

Specifications (Metric units)

Pipe Size (ins.)	Orifice Size (mm)	Kv Flow (m³/hr)	Operating Pressure Differential (bar)		Nominal Fluid Temp. °C	Catalog Number			Const. Ref.	Agency			Wattage	Approx. Shipping Weight (kgs)
			Min.	Max.		24V 60Hz	110-120V 50-60Hz	220-240V 50-60Hz		UL	FM	CSA		
COMBUSTION (Fuel Oil) - NORMALLY CLOSED														
1/4	13	0.9	0	20.7	121	SV401A01V9BF7	SV401A02V9BF7	SV401A04V9BF7	1	○	○	○	17.1	1.5
3/8	13	1.3	0	20.7	121	SV401A01V9CF7	SV401A02V9CF7	SV401A04V9CF7	1	○	○	○	17.1	1.5

○ = Safety Shutoff Valve.

Dimensions inches (mm)

