

BRONZE GLOBE AND ANGLE

CLASS 200

FIGURES: 3245P (1/4"-3"), 3246P (1/4"-2")

DESIGN DESCRIPTION:

Union Bonnet
Renewable Alloy Seat and Full Plug Disc

PARTS AND MATERIAL LIST:

DESCRIPTION	MATERIAL	ASTM SPEC.
1 handwheel nut	zinc plated steel with clear chromate or bronze	commercial
2 identification plate	aluminum	commercial
3 handwheel	aluminum	commercial
4 stem	silicon bronze	B371-62 alloy A (rod) or B198 alloy 13B
5 packing gland	bronze	B62 or B145-5A
6 packing nut	bronze	B62 or B145-5A
7 packing	teflon impregnated asbestos	commercial
8 bonnet	bronze	B61
9 union nut	bronze	B61
10 body	bronze	B61
11 disc holder nut	bronze	B62
12 plug disc	420 stainless steel	A276 Brinell 500
13 seat ring	420 stainless steel	A276 Brinell 500

DIMENSIONS IN MM AND INCHES:

SIZE	MM	6	10	15	20	25	32	40	50	65	80
	INCH	1/4	3/8	1/2	3/4	1	1 1/4	1 1/2	2	2 1/2	3
a	mm	67	67	68	86	102	118	127	152	168	197
	inch	2 5/8	2 5/8	2 11/16	3 3/8	4	4 5/8	5	6	6 5/8	7 3/4
b	mm	111	111	124	146	178	194	195	235	260	283
	inch	4 3/8	4 3/8	4 7/8	5 3/4	7	7 5/8	7 11/16	9 1/4	10 1/4	11 1/8
c	mm	64	64	82	114	114	137	137	137	178	178
	inch	2 1/2	2 1/2	3 1/4	4 1/2	4 1/2	5 3/8	5 3/8	5 3/8	7	7
d	mm	33	33	35	43	51	59	64	76	—	—
	inch	1 1/16	1 1/16	1 3/8	1 7/16	2	2 1/16	2 1/2	3	—	—

WEIGHTS IN KG AND POUNDS:

3245P	kg	.59	.54	.77	1.2	1.9	3	3.5	5.8	7.8	10.8
	lb	1.3	1.2	1.7	2.7	4.2	6.8	7.9	12.8	17.3	23.7
3246P	kg	.63	.72	.72	1.3	1.9	3	3.6	5.8	—	—
	lb	1.4	1.6	1.6	2.8	4.2	6.8	8	12.8	—	—

APPLICABLE STANDARD:

Federal Specification: WW-V-51 Class C, Type I and II

For engineering specification and data, see Engineering Section in back of Catalog.

PRESSURE/TEMPERATURE RATINGS

200 psi wsp	550F
400 psi wog	-20 to 150F

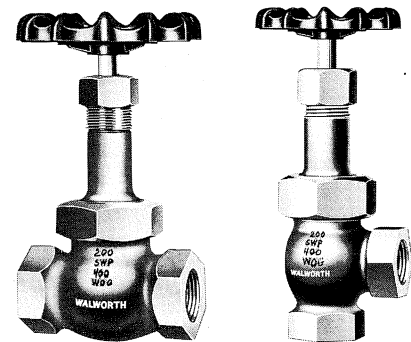


FIG. 3245P

FIG. 3246P

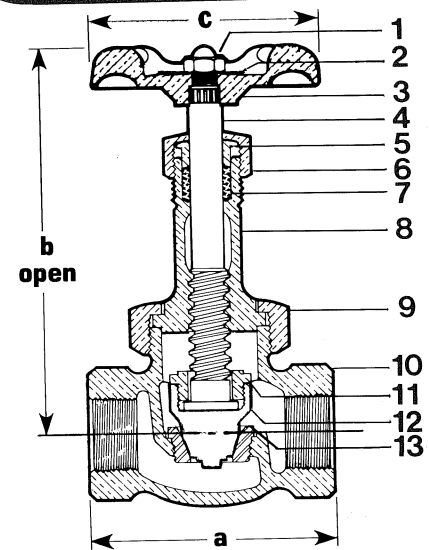


Fig. 3245P

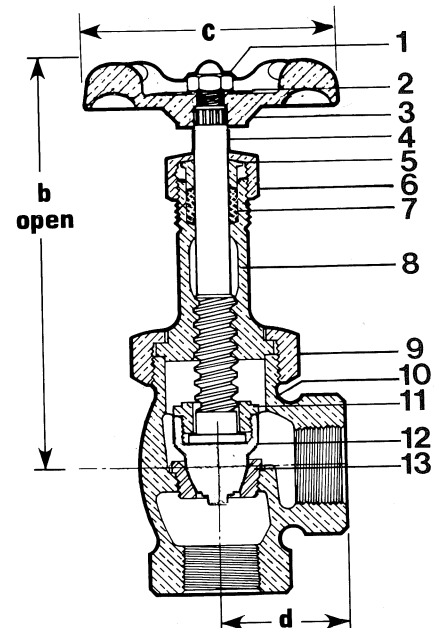


Fig. 3246P



Walworth