

Model: 11M**Cast Iron Screwed End Y Strainers**
Sizes: 1/4" - 4" (6-100mm)

Pressure / Temperature – Non-Shock		
Model	Material	Rating
11M	Cast Iron	400psi @ -20°F to 150°F 27.58 bar @ 65.56°C 250psi @ 406°F 17.24 bar @ 207.78°C

11M**Class 250**

Model 11M

Typical Service

- Used extensively to strain foreign matter from pipe lines and provide economical protection for costly pumps, meters, valves and other similar mechanical equipment.

Features

- Machined seats in both body and cap align and lock the screen in place to stop sediment bypass.

Construction

- Gasketed cap is used for easy disassembly and assembly. Many others use Loctite, rendering disassembly virtually impossible.

Self-Cleaning

- Self cleaning is accomplished by opening the plug or valve connected to the blowoff outlet.

Blowoff Outlets

- Outlets are NPT Tapped
- Sizes of tapping specified on the next page.
- Not normally furnished with plug. Plug available, specify with order.

Capacity

- Generously proportioned bodies
- Open Area Ratio much greater than pipe size, ensure low pressure loss.

Screens

MODEL	SIZES	STANDARD (WATER)		STEAM RECOMMENDATION	
		MATERIAL	OPENING	MATERIAL	OPENING
11M	1/2" - 2"	304SS	20 mesh	304SS	30 mesh
11M	2 1/2" - 4"	304SS	.062 perf	304SS	.045 perf

Pressure Drop

Pressure Drop Charts in Technical Data section of Mueller Steam Specialty Engineering binder.

Material

11M	
Body	Cast Iron ASTM A126-B
Gasket	Metal filled Graphite

Job Name _____

Contractor _____

Job Location _____

Approval _____

Engineer _____

Contractor's P.O. No. _____

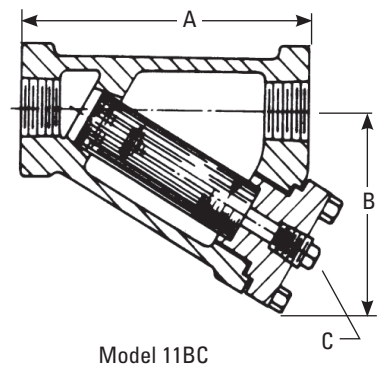
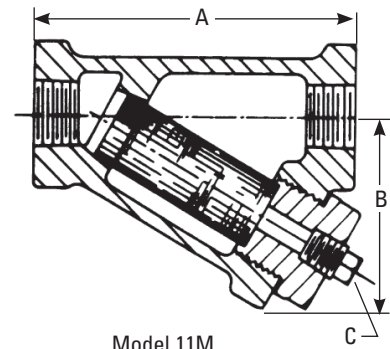
Approval _____

Representative _____

Dimensions and Weights

SIZE		DIMENSIONS						WEIGHTS	
		A		B		C			
in.	mm	in.	mm	in.	mm	in.	mm	lbs.	kgs.
1/4	6	3 ³ / ₁₆	81	2 ¹ / ₁₆	52	1/4	6	1.6	0.7
3/8	10	3 ³ / ₁₆	81	2 ¹ / ₁₆	52	1/4	6	1.6	0.7
1/2	15	3 ³ / ₁₆	81	2 ¹ / ₁₆	52	1/4	6	1.6	0.7
3/4	20	3 ³ / ₄	95	2 ¹ / ₁₆	61	3/8	10	2.4	1.1
1	25	4	102	2 ⁵ / ₈	66	3/8	10	3.0	1.4
1 1/4	32	5	127	3 ³ / ₈	85	3/4	20	5.2	2.3
1 1/2	40	5 ³ / ₄	146	3 ⁷ / ₈	98	3/4	20	8.0	3.6
2	50	7	177	4 ³ / ₄	121	1	25	12.5	5.7
2 1/2	65	9 ¹ / ₄	234	5 ⁷ / ₈	149	1 1/2	40	22.0	10.0
3	80	10	254	6	152	1 1/2	40	30.0	13.6
4	100	15 ³ / ₁₆	386	11 ¹ / ₄	286	1 1/2	40	70.0	32.0

Apply For Certified Drawings.



Mueller Steam Specialty product specifications in U.S. customary units and metric are approximate and are provided for reference only. For precise measurements, please contact Mueller Steam Specialty Technical Service. Mueller Steam Specialty reserves the right to change or modify product design, construction, specifications, or materials without prior notice and without incurring any obligation to make such changes and modifications on Mueller Steam Specialty products previously or subsequently sold.



A Watts Water Technologies Company

ES-MS-11-M 1020



ISO 9001-2008
CERTIFIED

USA: St. Pauls, NC • Tel. 1-800-334-6259 • Fax 1-800-421-6772 • www.muellersteam.com

© 2010 Mueller Steam Specialty